

Shell & tube water cooled condenser

کندانسور پوسته و لوله آب خنک

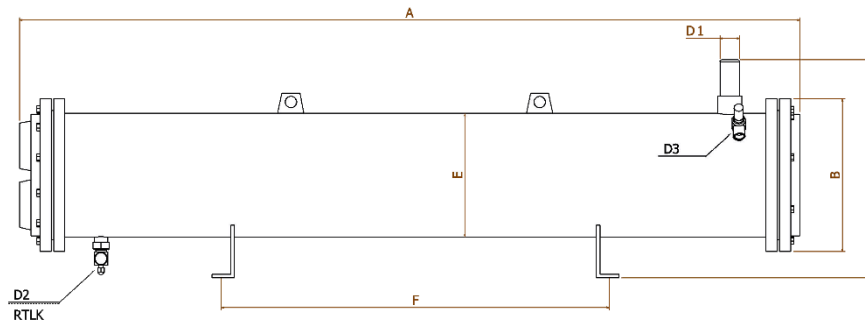
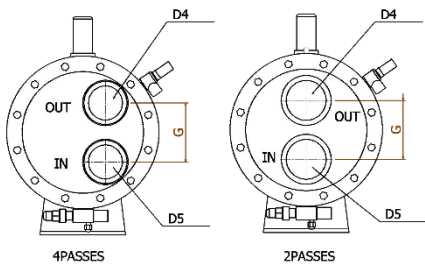
2 passes

4 passes

Fresh water

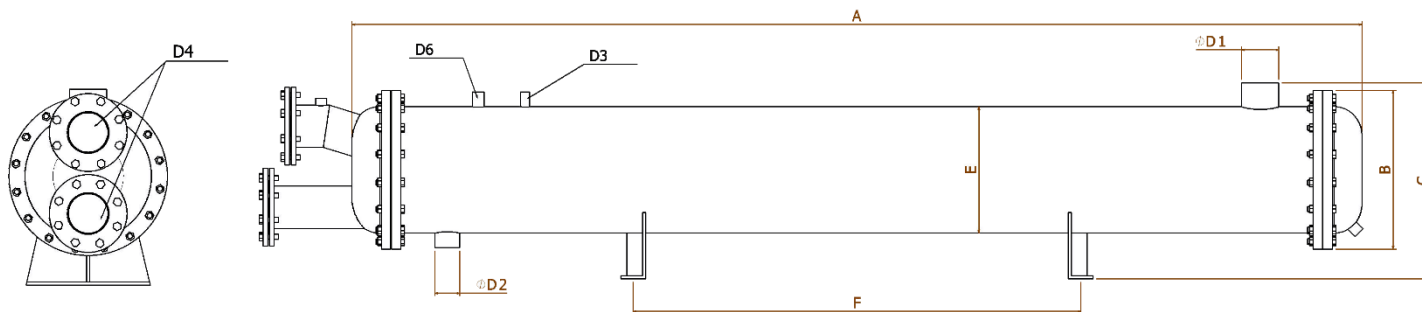
SWC

MODEL	KW	A	B	C	E	F	G	D1	D2	D3	D4	D5	Q	wv	rv
		cm	cm	cm	mm	cm	cm	inch	inch	inch	inch	inch	l/s	lit	lit
SWC3T4P	12	65	20	25	138	30	6	7/8	R5/8	1/2	1		0.5	2.5	4
SWC5T4P	20	90	24	30	168	40	8	1 1/8	R5/8	1/2	1 1/4		1	4	10
SWC8T4P	31	90	24	30	168	40	8	1 1/8	R5/8	1/2	1 1/4		1.5	5	8.5
SWC10T4P	35	110	24	30	168	55	8	1 1/8	R5/8	1/2	1 1/4		2	6	11
SWC15T4P	53	110	29	45	215	55	11	1 3/8	R7/8	1/2	2		2.8	8.5	21
SWC20T4P	70	135	29	45	215	65	11	1 3/8	R7/8	1/2	2		3.5	11.5	25
SWC25T4P	86	135	29	45	215	65	11	1 3/8	R7/8	1/2	3		4.3	14.5	23
SWC30T4P	115	135	34	50	273	65	13	1 5/8	R7/8	V.3/4	2 1/2		5.4	16.5	41
SWC30T2P		135	34	50	273	65	14	1 5/8	R7/8	V.3/4	3				
SWC35T4P	136	135	34	50	273	65	13	1 5/8	R7/8	V.3/4	2 1/2		6.4	19	52
SWC35T2P		170	34	50	273	90	14	1 5/8	R7/8	V.3/4	3				
SWC40T4P	157	170	34	50	273	90	13	1 5/8	R7/8	V.3/4	2 1/2		7.5	21.5	49
SWC40T2P		170	34	50	273	90	14	1 5/8	R7/8	V.3/4	3				
SWC50T4P	190	170	34	50	273	90	13	2 1/8	R1 1/8	V.3/4	2 1/2		9	27.5	42
SWC50T2P		170	34	50	273	90	14	2 1/8	R1 1/8	V.3/4	3				
SWC60T2P	218	170	39	55	323	90	16	2 1/8	R1 1/8	V.3/4	4		10.5	32	72
SWC70T2P	257	170	39	55	323	90	16	2 1/8	R1 1/8	V.3/4	4		12.3	37	65
SWC80T2P	275	215	39	55	323	130	16	2 5/8	R1 3/8	V.3/4	4		13.1	42	93
SWC90T2P	321	215	39	55	323	130	16	2 5/8	R1 3/8	V.3/4	4		15.6	46	88
SWC100T2P	365	250	39	55	323	150	16	2 5/8	R1 3/8	V.3/4	4		17.4	52	106
SWC110T2P	400	250	39	55	323	150	16	3 1/8	R1 5/8	V.3/4	4		19	57	102
SWC125T2P	449	250	46	63	356	150	20	3 1/8	R1 5/8	V.3/4	5		21.4	67	128
SWC140T2P	536	250	46	63	356	150	20	3 1/8	R1 5/8	V.3/4	5		24.9	74	120



Water.T	27 °C	32 °C
Cond.T	40 °C	
Fouling	0.000043 m2k/w	
velocity	1.3 ~ 3 m/s	
Testing pressure	450 psi	30 bar

MODEL	KW	A	B	C	E	F	D1	D2	D3	D4	D6	Q	wv	rv
		cm	cm	cm	mm	cm	inch	inch	inch	inch	inch	l/s	lit	lit
SWC160T2P	583	265	51	75	406	150	4	2 1/8	1/2	FL5	1	27.7	84	170
SWC180T2P	680	325	51	75	406	200	4	2 1/8	1/2	FL5	1	32.5	93	230
SWC210T2P	790	325	51	75	406	200	4	3 1/8	1/2	FL5	1	37.7	108	212
SWC240T2P	910	325	51	75	406	200	4	3 1/8	1/2	FL5	1	43.4	124	190
SWC280T2P	1020	325	56	80	457	200	5	3 1/8	1/2	FL6	1	48.7	145	260



Water.T	27 °C	32 °C
Cond.T	40 °C	
Fouling	0.000043 m2k/w	
velocity	1.3 ~ 3 m/s	
Testing pressure	450 psi	30 bar
rv	Refrigerant volume	حجم میرد
wv	Water volume	حجم آب
Q	velocity	سرعت جریان
D2=R	Rotalock valve/connection	شیر تخلیه یا فقط اتصال
D3=V.3/4	Relief valve	شیر اطمینان یا فقط اتصال



SANAT TABADOL SARD.co

www.tabadolsard.com

